

Features

- Washout urinal.
- 3/4" (19 mm) top spud.
- 0.125 - 1.0 gpf (0.47 - 3.8 lpf).
- Will replace K-4904-ET.
- Antimicrobial finish inhibits the growth of mold-, mildew-, stain-, and odor-causing bacteria on the fixture surface. This product does not protect users against bacteria, viruses, or other disease organisms. Always clean and wash this product thoroughly before and after each use.

Material

- Vitreous china.

Installation

- 14" (356 mm) extended rim.

Recommended Products/Accessories

- K-13520 Manual 1/8 GPF Urinal Flushometer
- K-7528 Touchless hybrid 0.125 gpf washdown urinal flushometer
- K-7546 Exposed hybrid 0.125 gpf washdown urinal flushometer
- K-7537 Exposed hybrid 0.5 gpf washdown urinal flushometer
- K-7526 Touchless hybrid 0.5 gpf urinal flushometer
- K-13519 Manual 0.5 GPF Urinal Flushometer
- K-13518 Manual 1.0 GPF Wshdwn Flushometer
- K-7542 Exposed hybrid 1.0 gpf urinal flushometer
- K-7527 Touchless hybrid 1.0 gpf washdown urinal flushometer
- K-23726 Drain treatment
- K-23725 Cast iron cleaner
- K-4929 Waterless Urinal Maintenance Balls
- K-10668-SV Touchless washdown 0.125 gpf urinal flushometer
- K-10949-SV Touchless DC 0.125 gpf urinal flushometer
- K-76317 Manual 1/8 GPF Urinal Flushometer
- K-7537-RF Exposed hybrid 0.5 gpf urinal flushometer retrofit
- K-10958-SV Touchless DC 0.5 gpf washdown urinal flushometer
- K-13519-RF Manual 0.5 GPF Urinal Flushometer
- K-76318 Manual 0.5 GPF Urinal Flushometer
- K-10676-SV Touchless washdown 1.0 gpf urinal flushometer
- K-13518-RF Manual 1.0 GPF Wshdwn Flushometer
- K-76319 Manual 1.0 GPF Urinal Flushometer

Included Components

Additional Components:

- 2" outlet spud
- 3/4" inlet spud
- Hanger(s) (Qty 2)
- Strainer



ADA

CSA B651

Codes/Standards

ASME A112.19.2/CSA B45.1
DOE - Energy Policy Act 1992
EPA WaterSense®
California Energy Commission (CEC)
ADA
ICC/ANSI A117.1
CSA B651

KOHLER® One-Year Limited Warranty

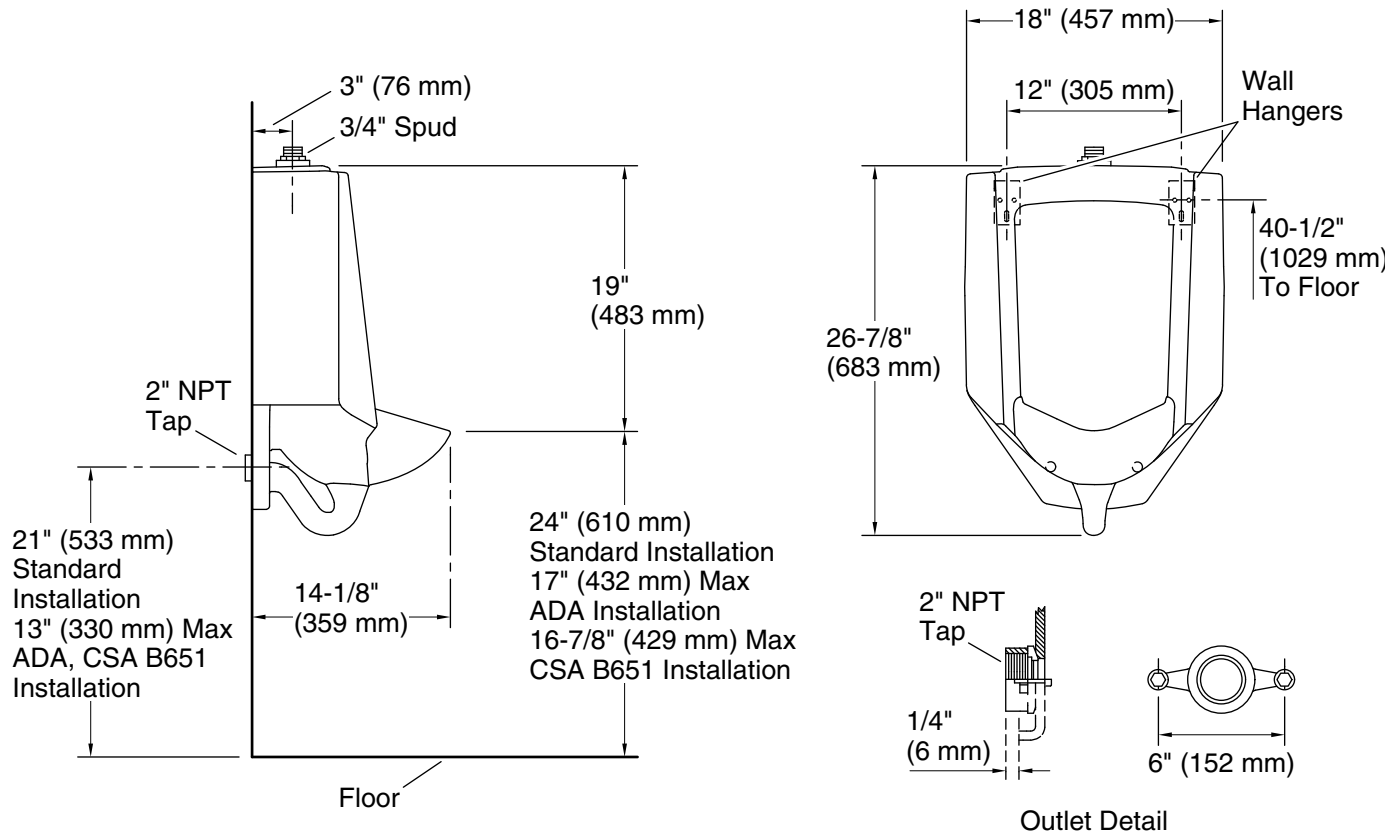
See website for detailed warranty information.

Available Colors/Finishes

Color tiles intended for reference only.

Color Code Description

	0	White
--	---	-------



Technical Information

All product dimensions are nominal.

Flush outlet technology:	Washout
Spud size:	3/4", Inlet, Top
Min. Water per Flush:	0.125 gal (0.5 L)
Max. Water per Flush:	1 gal (3.8 L)

Designed for the above water use when installed with a water-saving flushometer.

Notes

Install this product according to the installation instructions.

Refer to manufacturer's instructions and local codes for flushometer requirements.

Recommended ADA outlet spud height will account for normal product variation.

For ADA compliance, measurement must be 17" (432 mm) or less from the floor to the top of the lip. For CSA B651 compliance, measurement must be 16-7/8" (429 mm) or less from the floor to the top of the lip.

ADA, CSA B651 compliant when installed to the specific requirements of these regulations.